

S220 SKID-STEER LOADERS



Bobcat®



Bobcat[®]

Power Player

The Bobcat S220 delivers plenty of power for digging, lifting, pushing — any job where you need to come on strong!

Muscle and Maneuverability

Here's strength, speed and smoothness, all packaged in a compact machine that's less than 2055 mm tall, just under 2918 mm long, and only about 1503 mm wide. That's a big plus when your working space is limited!



FACTORY INSTALLED
Air Conditioning
AVAILABLE



Name Your Task

Digging, loading, pushing, backfilling, hauling, grading, spreading, demolishing — the S220 cuts 'em all down to size. And no wonder.

The 54 Kw Kubota diesel engine delivers plenty of power, hydraulic breakout force and impressive tractive effort. Rated operating capacity is a hefty 1000 kg.

The long reach and 3109 mm lift height mean effortless loading and unloading. And with its extended wheelbase, this rugged machine gives you a smooth ride even on the toughest jobsites.

The standard of design, productivity and comfort!

The Bobcat S220 loader delivers a wide range of innovative operator-friendly features and exciting value-added options.



Left Side Instrument Panel



Right Side Standard Instrument Panel



Optional Deluxe Instrument Panel

State-of-the-art instrument panels provide dozens of operational features, diagnostics and monitoring. Optional deluxe instrument panel includes keyless start security system, feature lockouts, digital time and job clocks, multi-language display, even a “help” menu.



More Operator Comfort

The optional, fully-adjustable suspension seat allows comfortable all-day operation. The innovative seat bar pivots from the rear, providing secondary restraint protection and serving as a comfortable armrest for operators of all sizes.



Climate-Controlled Cab

High-visibility front door — with 49% more glass — includes wiper and washer. The cab enclosure with top, rear and side windows, will completely seal the cab for efficient use of heater or the air conditioning option.

The Bobcat Standard

Combine these outstanding features with ease of operation, versatility, maneuverability, wide choice of attachments, worldwide dealer support, service backup, parts availability and high resale, and it all adds up to: Total value that can't be matched.

Bobcat®

One Tough Animal

Choice of Attachments

As with any Bobcat machine, you can count on a variety of quick-mounting attachments for your S220. You can easily replace a bucket with backhoe, pallet fork, landscape rake, sweeper, tiller, grapple and many more.

Serviceability.

Bobcat serviceability is unsurpassed. Simply open the swing-out tailgate for full access to the engine's checks and fills, filters and battery. And unlike other brands, the lift arms need not be raised to service the machine. Shop time is spent repairing, not gaining access.

Two-speed option allows travel up to 19.3 km/h



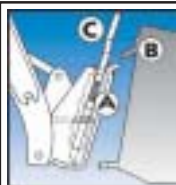
Low- to high-range speeds from 11.1 km/h to 19.3 km/h

When longer travel distances are required, the two-speed option becomes a necessity. This "on-the-go" feature is activated by a rocker switch on the right-hand steering handle.

An illuminated rabbit icon on the dash panel indicates when the loader is traveling in high range.



Extra Hydraulic Power! The S220 delivers 78.4 l/min standard hydraulic flow, 116.2 l/min high flow, and 227.5 bar system pressure. All this added power allows you to operate special high-performance attachments, including the chipper, pavement planer, stump grinder, trencher and wheel saw.



Exclusive Bob-Tach System.

For fast, secure attachment changes. Bob-Tach frame (A) moves into attachment flange (B) handle (C) pushes down easily, pressing wedge (D) through frame and attachment hole for solid connection.

Power Bob-Tach available!



Adjustment Not Needed.

The Bobcat "bow-tie" drive chain design uses pre-stressed, heavy-duty drive chains in two short continuous loops on each side. That means no periodic, time-consuming adjustments, plus long life even in the most rugged conditions.



Clean Cooling.

The exclusive Bobcat dual path cooling system brings clean, cool air from above, through the engine and hydraulic oil coolers, mixes it with engine compartment air, then exhausts it out two side vents.



1000 kg	3109 mm	551 mm	54 Kw	78.4/116.2 l/min
Rated Operating Capacity	Lift Height	Reach	Kubota Diesel Engine	Auxiliary flow/ High-flow



The standard of design, productivity and comfort!

Greater Comfort.

- The cab is operator-friendly, designed for maximum comfort and functionality.
- With its large cab opening, the S220 is easy to enter and exit.
- The innovative seat bar pivots from the rear, providing secondary restraint protection and serving as a comfortable armrest for operators of all sizes.
- High-output halogen headlamps double the amount of illumination to the work area for better operation in low light.
- The S220 also features an easy-to-read, highly functional instrument panel, along with a number of value-added options.
- Air conditioning available! Full climate-controlled cab!

More Options.

- Selectable Joystick Control System allows operator to select between ISO and H-pattern to operate drive and work group functions.
- Advanced Control System (ACS) allows operator to select between hand control or foot control of lift and tilt hydraulic functions.
- Power Bob-Tach™ system permits changing standard attachments with the flip of a switch — without leaving the cab. (Hydraulic-driven attachments require operator to shut off engine and exit cab to connect and disconnect the hydraulics.)
- High-flow auxiliary hydraulics for operating attachments such as planers and chippers.
- Two-speed option allows travel up to 19.3 km/h (includes 3-point seat belt).
- Factory- or field-installed deluxe instrument panel includes keyless start, feature lockouts, monitoring and diagnostic functions.
- Fully-adjustable suspension seat, cab heat and air conditioning provide all-day operator comfort.

Bearing Grease? Forget It!

Self-lubricating axle bearings never need greasing. The unique hub design offers great seal protection.



Belt Drive Advantage.

The Bobcat belt drive advantage means Bobcat loader engines can be run slower, resulting in a quieter machine that lasts longer and uses less fuel. This system also maximizes pump efficiency and minimizes steering lever effort.



Ask about the 3-year

S220

Worldwide Support.

With the Bobcat S220 you get more than just an exceptional skid-steer loader. You also get the support of a worldwide network of Bobcat dealers offering industry-leading attachments, accessories and parts availability. Their factory-trained service technicians are equipped to handle all your parts and service requirements, including engine and hydrostatic/hydraulic components. There's an excellent warranty program, too.

Get all the details from your Bobcat dealer.

SKID-STEER LOADER S220

PERFORMANCE S220

Rated operating capacity	1000 kg
Tipping load	2000 kg
Hydraulic pump capacity	
Standard Flow	78.4 l/min @ 227.5 bar
High flow	116.2 l/min @ 227.5 bar
Travel speed	
Low range	11.1 km/h
High Range (optional)	19.3 km/h

ENGINE

Make/Model	Kubota V3300-TE Turbo-Charged
Fuel/Cooling	Diesel/Liquid
Power at rated RPM (ISO 9249)	55.9 kW (75 HP) at 2400 RPM
Engine power class	60.4 kW (83 HP)
Number of cylinders	4
Displacement	3.318 l
Fuel tank capacity	94.6 l

WEIGHT

Operating weight ①	3130 kg
--------------------	---------

OPERATION

Steering and drive	Forward, reverse, travel speed and steering controlled by two hand levers.
Hydraulics	Raise/lower lift arms and dump/rollback bucket controlled by two foot pedals or optional hand controls.
Transmission	Hydrostatic, four-wheel drive.

STANDARD FEATURES

- Adjustable Cushion Seat
- Automatically-Activated Air Intake
- Bobcat Interlock Control System (BICS™)
- Bob-Tach™ Mounting System
- Deluxe Cab
- Dual Path Cooling System
- Engine/Hydraulic Shutdown
- Front Auxiliary Hydraulics
- Front & Rear Lights
- Heater
- Lift Arm Support
- Meters/Gauges/Warning Lights
- Operator Cab
- Parking Brake
- Seat Bar (available for all Bobcat loaders)
- Seat Belt
- 12-16.5 Bobcat Heavy-Duty Tires

OPTIONAL FEATURES

- Advanced Control System (ACS)
- Air Conditioning
- Alarm Package (backup alarm and horn)
- Attachment Control Kit
- Cab Enclosure ②
- Cab Heater
- Catalytic Purifier
- Counterweight
- Deluxe Instrument Panel
- Flasher/Strobe/Rotating Beacon Lights
- Heavy-Duty Offset Tires
- High-Flow Auxiliary Hydraulics Pump
- Hydraulic Bucket Positioning ③
- Keyless Start System
- Poly-Fill Tires
- Power Bob-Tach™ Mounting System
- Options/Accessories
- Radio Kit
- Rear Auxiliary Hydraulics
- Ride Control
- Selectable Joystick Control
- Service Safety Training Kit
- Severe-Duty Tires
- Side Windows
- Sound Cab
- Special Applications Kit ④
- Super Float Tires
- Suspension Seat (vinyl or cloth cover)
- Two Speed
- Water Kit

- ① Machine with bucket, fuel tank full and operator
 ② Includes top, rear and side windows
 ③ Bucket positioning helps operator keep the same tilt of the load during lifting
 ④ This includes Lexan front door, top and rear windows

ATTACHMENTS AVAILABLE

- Angle broom
- Angle blade
- Backhoe
- High lift bale handler
- Buckets
- Brush cutter
- Chipper ③
- Combination bucket
- Dozer blade
- Dumper
- Earth auger
- Ejector bucket
- Feeding bucket
- Front scarifier
- Grader ③
- Grapples & forks
- Hydraulic breaker ④
- Hydraulic fork positioner
- Landplane
- Landscape rake
- Mixing bucket
- Pallet forks
- Planer
- Power rake
- Rear stabilizers
- Rotary mower
- Salt & sand spreader
- Silage cutter
- Snow blower
- Sod layer
- Stump grinder
- Super scraper
- Sweeper ③
- Three point hitch
- Tiller
- Tilt-Tatch
- Tracks
- Tree spade
- Trencher
- Vibratory roller
- Wheel Saw

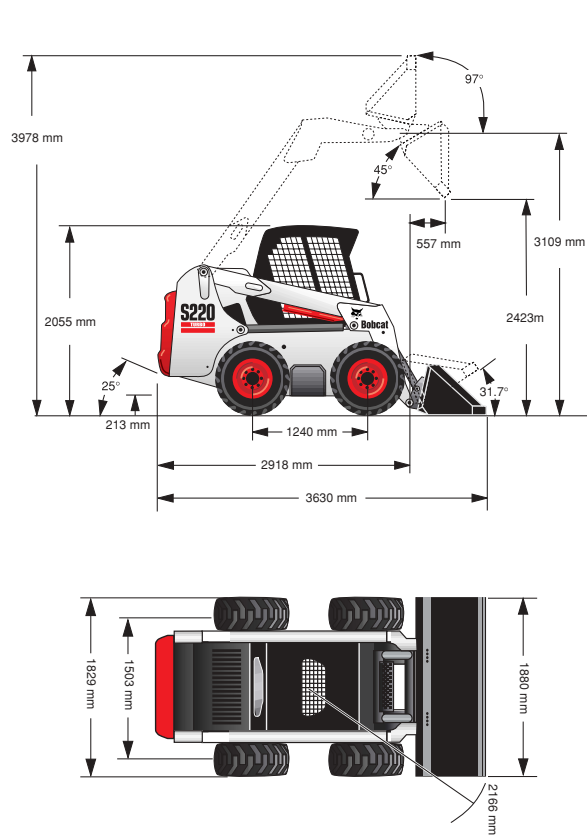
④ When operating the Bobcat loader with this attachment, a special applications kit must be used.

③ Optional water kit

③ Attachment control kit required

DIMENSIONS

- All dimensions are in mm.



BOBCAT EUROPE

J. Huysmanslaan, 59
 B - 1651 LOT Belgium
 Tel. +32 (0)2 371 68 11
 Fax. +32 (0)2 371 69 01
 E-mail: bobcat_europe@eu.bobcat.com
www.bobcat.com

An **IR** Ingersoll-Rand business

